

# Panel Antenna

## Technical Sheet

### Main Features

- Dual-band coverage of 2.4/5GHz frequencies
- 2.4GHz /5GHz Wireless LAN
- 5.8GHz UNII/ISM
- Compact Size, Low Profile

### Electrical Specifications

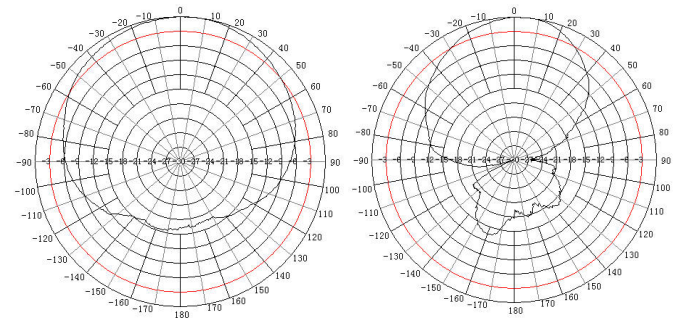
Model	TDJ-2458BKDI-Y	
Frequency Range-MHz	2400-2500	5150-5850
Bandwidth-MHz	100	700
Gain-dBi	7	
Polarization	Vertical	
Beamwidth -°	H-Plane	120
	E-Plane	55
VSWR	≤2	
F/B ratio-dB	≥20	
Impedance-Ω	50	
Power Capacity-W	50	

### Mechanical Specifications

Connector	N Female
Dimension(WxLxD)-mm	186x155x50
Weight-Kg	0.75
Mounting	Ceiling Mount
Dimension of pipe-mm	φ40~50
Operation temp-°C	-40~+60

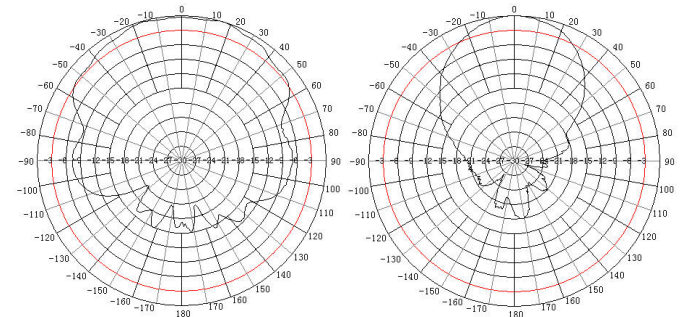


### Typical Field Pattern



2.4GHz H-Plane

E-Plane



5GHz H-Plane

E-Plane



**Kenbotong Technology Co., Ltd.**

Addr : NO.2 Chanxiu Road ,Foshan city,Guangdong China Code:528061

Tel: 86(757)8202-5597, 8221-9788 Fax : 86(757)8221-2072,8802-2808

Email: kbt@kenbotong.com web: <http://www.kenbotong.com>